



WORLDWIDE ELECTRIC MOTOR DATA SHEET



OW30-12-326T

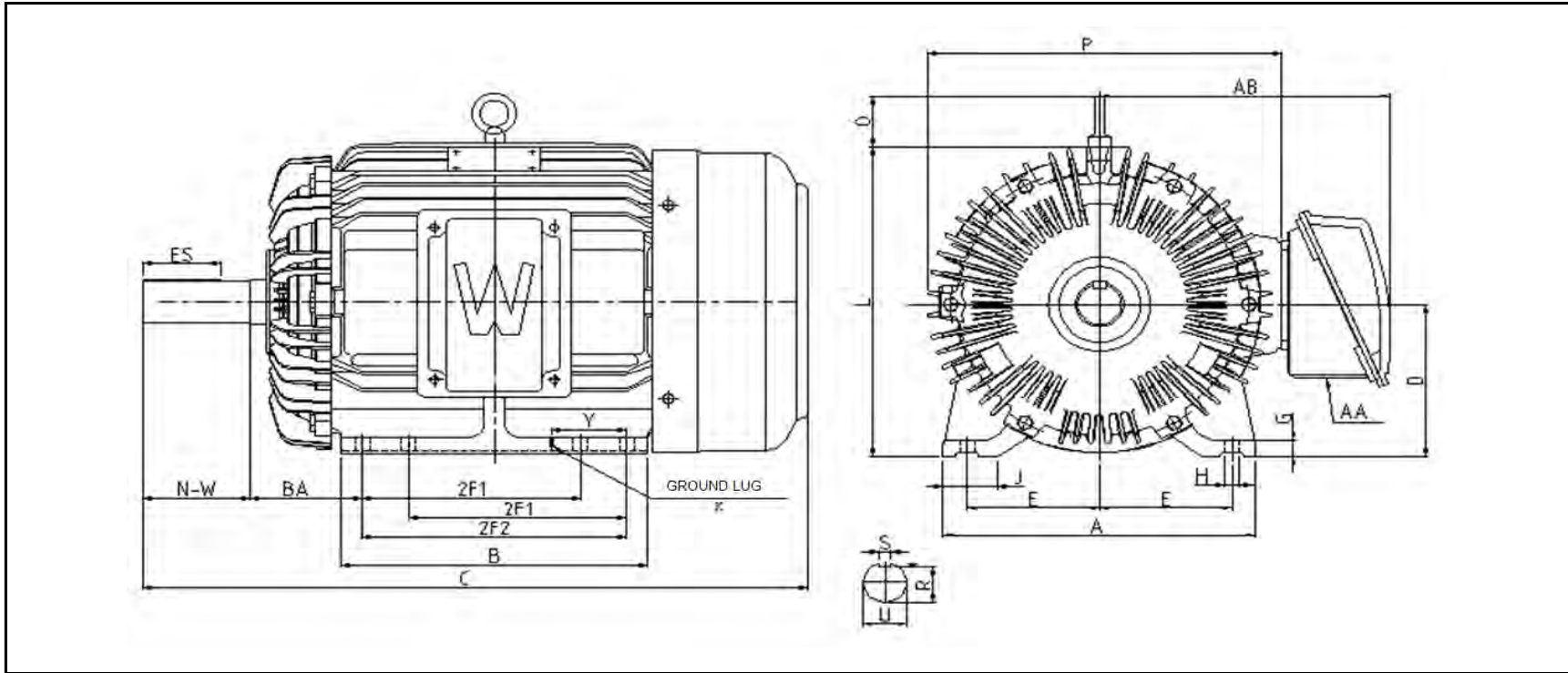
HORSEPOWER	30		
RPM / POLES	1200 / 6		
VOLTAGE / PHASE	230 / 460 / 796 V / 3		
FRAME	326T		
ENCLOSURE / DEGREE OF PROTECTION	TEFC / IP55		
FREQUENCY	60 HZ Suitable For 50 HZ Operation With 1.0 SF		
FULL LOAD SPEED	1130 RPM		
SERVICE FACTOR	1.15		
INSULATION CLASS	F		
FULL LOAD AMPS; 230 / 460 / 796	70.8 / 35.4 / 20.4 A		
LOCKED ROTOR AMPS (STARTING); 230 / 460 / 796	477.2 / 238.6 / 137.8 A		
NO LOAD CURRENT	21.4 A		
NEMA CODE LETTER	G		
EFFICIENCY / POWER FACTOR	<u>LOAD</u>	<u>EFF.</u>	<u>P.F.</u>
	100%	91.7%	0.85
	75%	89.7%	0.71
	50%	87.7%	0.59
DUTY CYCLE	CONTINUOUS		
TORQUE	<u>FULL LOAD</u>	<u>LRT</u>	<u>BDT</u>
	184.8 N.m	254%	265%
SLIP	5.82%		
NEMA DESIGN	D		
MOMENT OF INERTIA			
MAX. TIME LOCKED ROTOR (Hot)	20 Seconds		
MAX. AMBIENT TEMPERATURE	40° C		
MAX. ELEVATION	3300 Ft. Above Sea Level		
TEMPERATURE RISE (At Full Load)	55° C		
DE BEARING	6314		
ODE BEARING	6212		
REGREASING INT. - DE BEARING	7,000 Hours		
REGREASING INT. - ODE BEARING	7,000 Hours		
GREASE TYPE	Mobil Polyrex EM		
MOUNTING	F2 (F1 Suitable)		
ROTATION	Bi-Directional		
SHAFT MATERIAL	1045 Carbon Steel		
CONNECTION DIAGRAM	230 / 460 V - 12 Lead Δ		
APPROXIMATE WEIGHT	622 lbs. (664 lbs. Crated)		
INVERTER RATING	10:1 CT / 20:1 VT PWM Type		





WORLDWIDE ELECTRIC MOTOR DRAWING

OW-326T



DIMENSIONS - INCHES

MOUNTING					A	B	C	D	G	K
E	2F1	2F2	H	BA						
6.25	10.5	12	0.66	5.25	15.75	14.37	32.67	8	0.984	M8

KEYSET	KEY		U	N-W	P	AB	AA	L	J	O	Y
	R	ES									
1.845	4.17	0.5	2.125	5.25	16.5	12.8	2	16.7	3.15	2.48	3.15